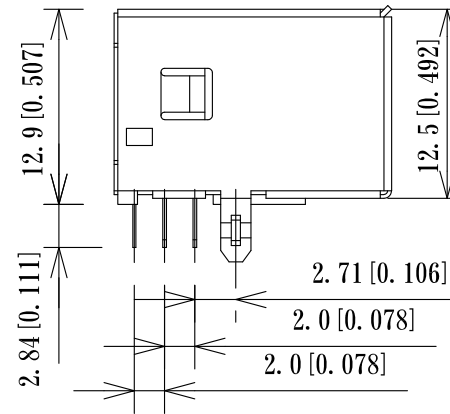


P.C.B.パターン



Date		JC ELECTRONICS CORPORATION
2020/2/14		
Materials Finish		HOUSING, SPACER Liquid Crystal Polymer UL94V-0 SHELL, COVER SHELL Steel/SPCC, Ni over Cu Plated TERMINAL Copper Alloy, Selective Gold over Ni Plated
Dimensions Style		Title
mm [inch]		USB3.0
Third Angle Projection		Part Number
Rev. No		0
		USB30B-09K-PC-E