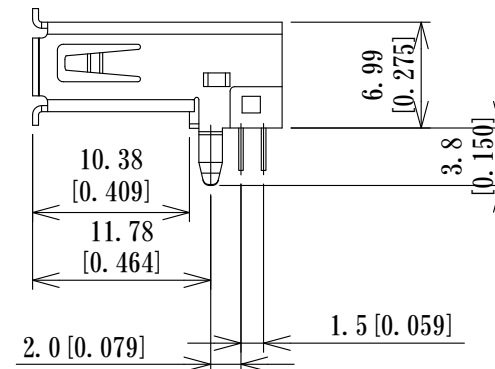
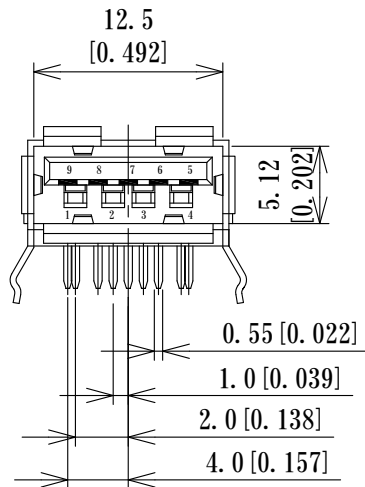
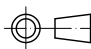


P. C. B Layout



Date		JC ELECTRONICS CORPORATION
2015/3/19		
Materials Finish		HOUSING Liquid Crystal Polymer UL94V-0 SHELL Steel, Ni over Cu Plated TERMINAL Copper Alloy, Selective Gold over Pd-Ni Plated
Dimensions Style mm [inch]		Title USB3.0
 Third Angle Projection		Part Number
Rev. No	0	USB30A-09K-PC-GG-E