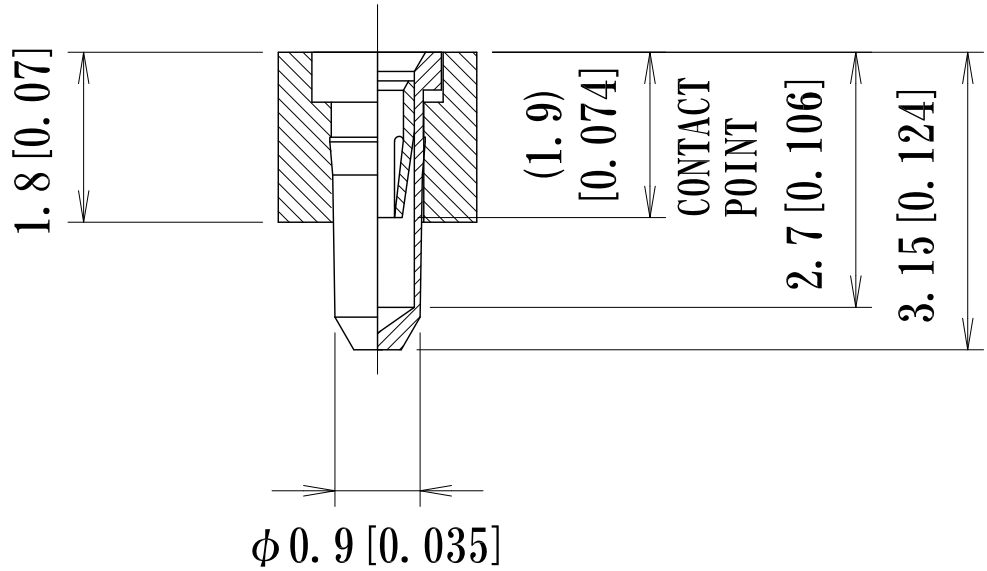
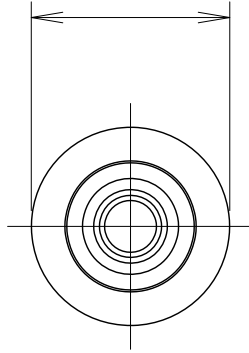
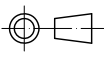


$\phi 2.1 [0.082]$



Date	JC ELECTRONICS CORPORATION	
04/22/2024		
Materials Finish	Sleeve:Brass, Au plating over Ni Contact:Copper Alloy, Au plating over Ni Insulator:High Temp. Thermoplastic	
Dimensions Style	Title	
mm [inch]	Socket Pin	
 Third Angle Projection	Part Number	
Rev. No	0	SG01-NSF0010-GG

Ⓐ