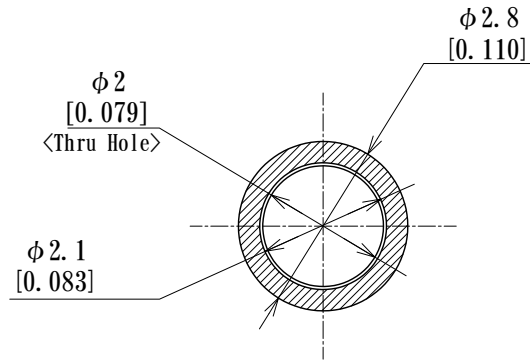
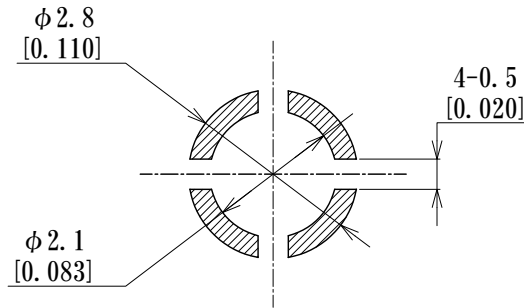


DPA5P-F23L23-GG

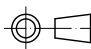


Cream Solder Area



Metal Mask Size
thickness : 100 - 150 μm

Acceptable Plug φ 1.0 ~ φ 1.3 [φ 0.039 ~ φ 0.051]

Date		JC ELECTRONICS CORPORATION
2023/10/10		
Materials Finish		Sleeve: Brass, Au plating over Ni Contact: Beryllium Copper, Au plating over Ni Absorption Cap : Aluminum
Dimensions Style mm [inch]		Title SOCKET PIN
 Third Angle Projection		Part Number
Rev. No	0	DPA5P-F23L23-GG