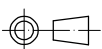


Date	JC ELECTRONICS CORPORATION	
2022/05/09		
Materials Finish	HOUSING : Thermoplastic Black CONTACT PIN : Phosphor Bronze, Au Plating on Contact Area Sn Plating on Solder Area FRONT SHELL : SPCC, Ni Plated SHELL, GROUND : Brass, Ni Plated	
Dimensions Style	Title	
mm [inch]	MICRO-D CONNECTOR, VALUE TYPE	
 Third Angle Projection	Part Number	
Rev. No	0	MDSE-25P-RA-E