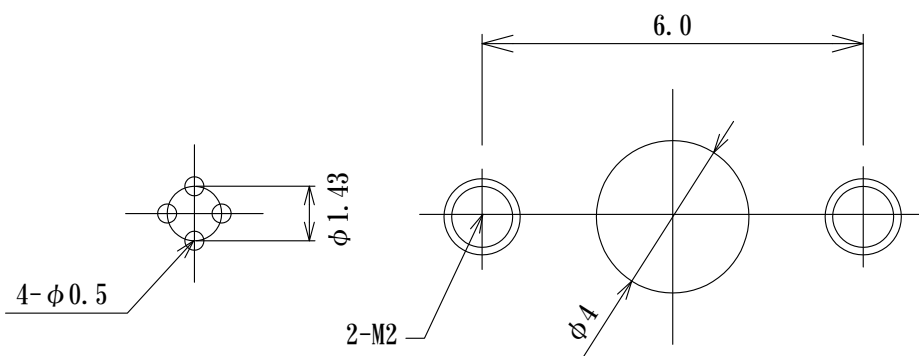
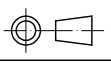


PCB dimension

Mounting dimension



Acceptable Plug $\phi 0.35$ typical

Date		JC ELECTRONICS CORPORATION
2014/12/26		
Materials Finish	SOCKET PINS	Contact: Beryllium Copper Gold over Ni Plated
	INSULATOR	Body: Brass Gold over Ni Plated LCP (Black)
Dimensions Style mm	Title LASER DIODE SOCKET	
 Third Angle Projection	Part Number	
	LD143-4P-M2L118-E	
Rev. No	0	