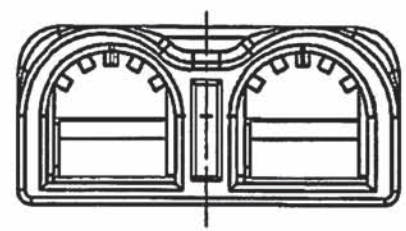


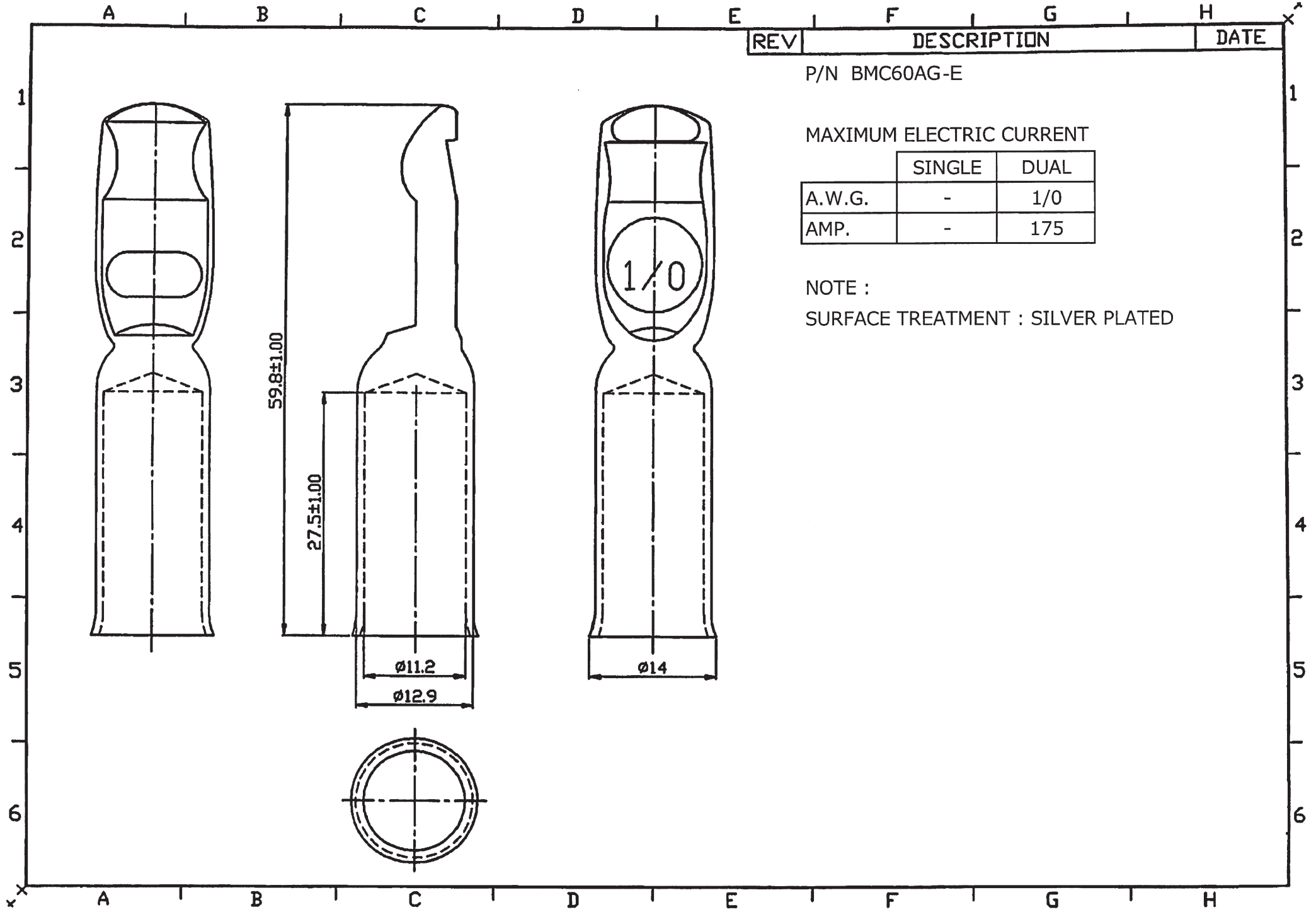
SCALE 1:2

CHART 1



NOTE:  
 1.Spring Material : Steel  
 2.Housing Material : PC,UL94-0

CAT.No	COLOR
BMC2M-GRAY	GRAY
BMC2M-RED	RED
BMC2M-YELLOW	YELLOW



REV	DESCRIPTION	DATE
-----	-------------	------

P/N BMC60AG-E

MAXIMUM ELECTRIC CURRENT

	SINGLE	DUAL
A.W.G.	-	1/0
AMP.	-	175

NOTE :  
SURFACE TREATMENT : SILVER PLATED

1/0

59.8±1.00

27.5±1.00

Ø11.2

Ø12.9

Ø14