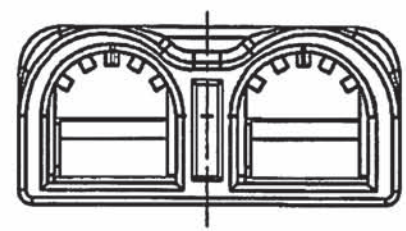


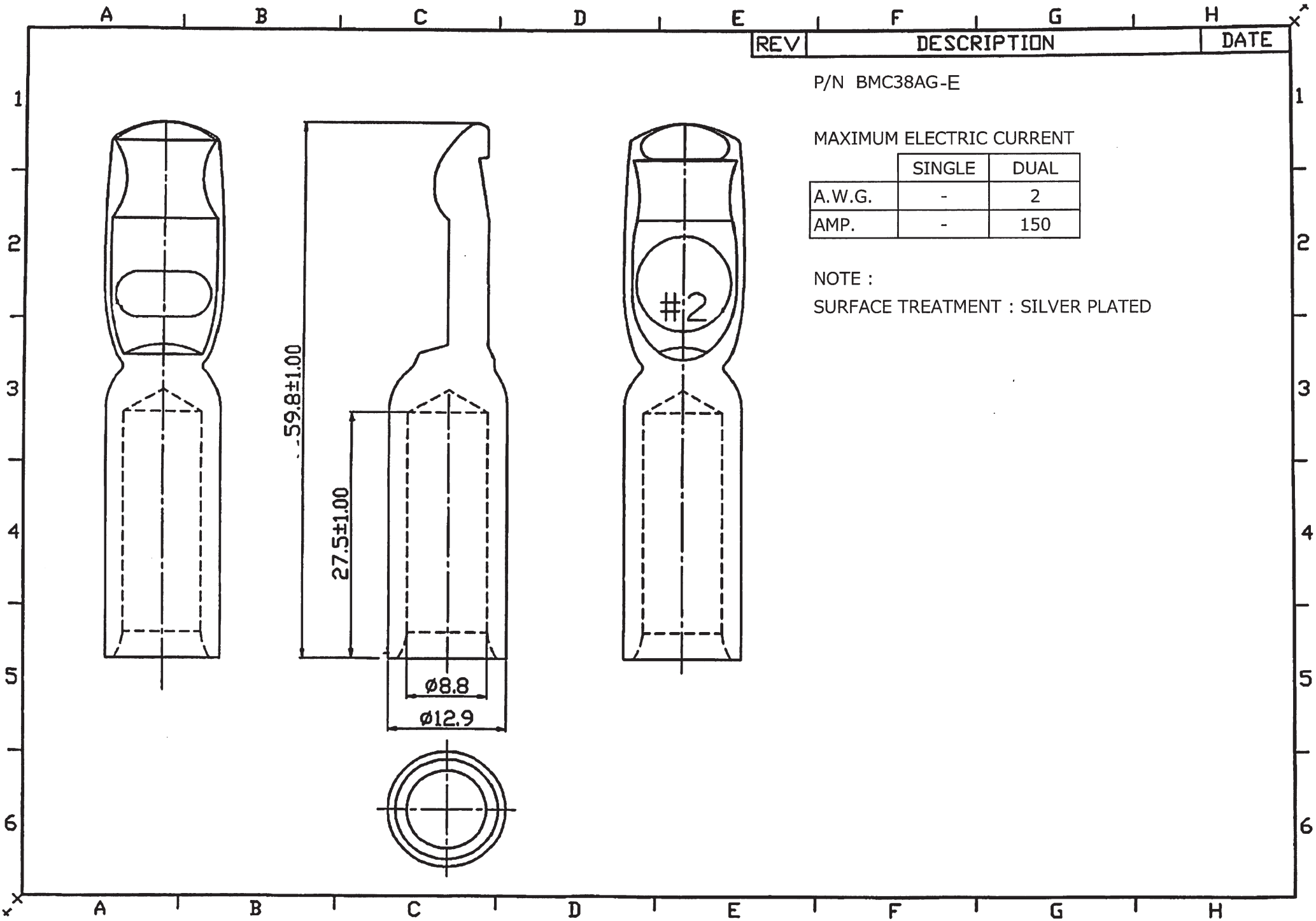
SCALE 1:2

CHART 1



NOTE:
 1.Spring Material : Steel
 2.Housing Material : PC,UL94-0

CAT.No	COLOR
BMC2M-GRAY	GRAY
BMC2M-RED	RED
BMC2M-YELLOW	YELLOW



REV	DESCRIPTION	DATE
-----	-------------	------

P/N BMC38AG-E

MAXIMUM ELECTRIC CURRENT

	SINGLE	DUAL
A.W.G.	-	2
AMP.	-	150

NOTE :
SURFACE TREATMENT : SILVER PLATED

