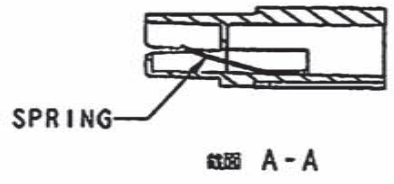
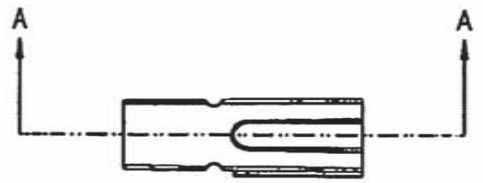
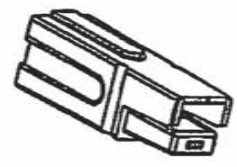
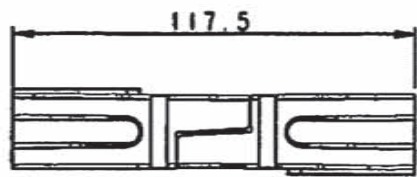
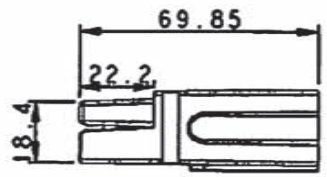


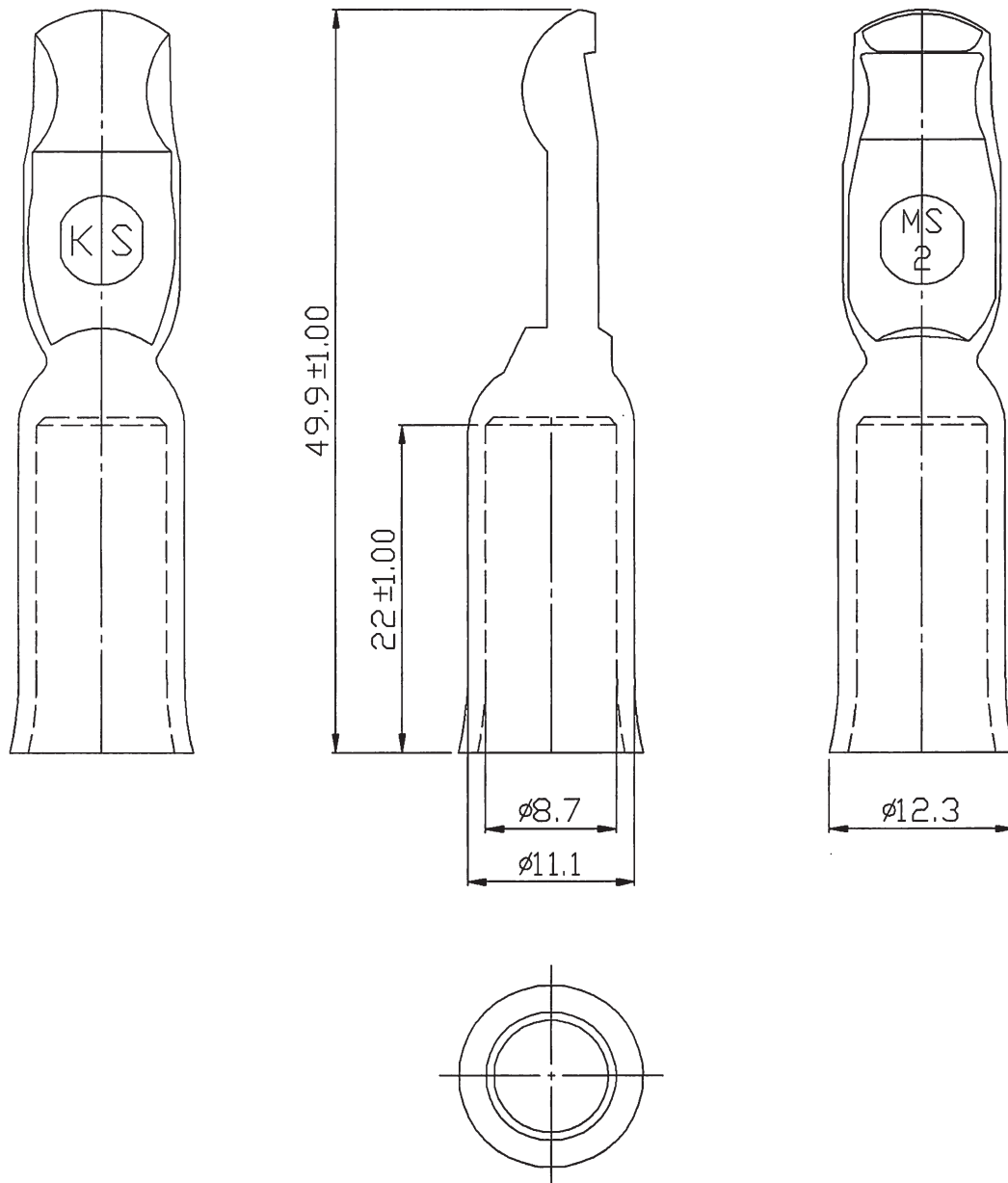
REV	DESCRIPTION	DATE
-----	-------------	------



**NOTE :**

MAXIMUM ELECTRICAL RATING:  
 125° 600 VOLTS MAX.  
 INSULATION MATERIAL:  
 POLYCARBONATE (PC), RATED UL94V-0  
 INSULATION COLOR: SEE CHART  
 SPRING: STAINLESS STEEL

CAT.NO.	COLOR
BMC1LMBLACK	BLACK
BMC1LM-BLUE	BLUE
BMC1LM-RED	RED
BMC1LM-WHITE	WHITE
BMC1LM-YELLOW	YELLOW



P/N BMCMS38AG-E

MAXIMUM ELECTRIC CURRENT

	SINGLE	DUAL
A.W.G.	2	-
AMP.	120	-

NOTE :

SURFACE TREATMENT : SILVER PLATED