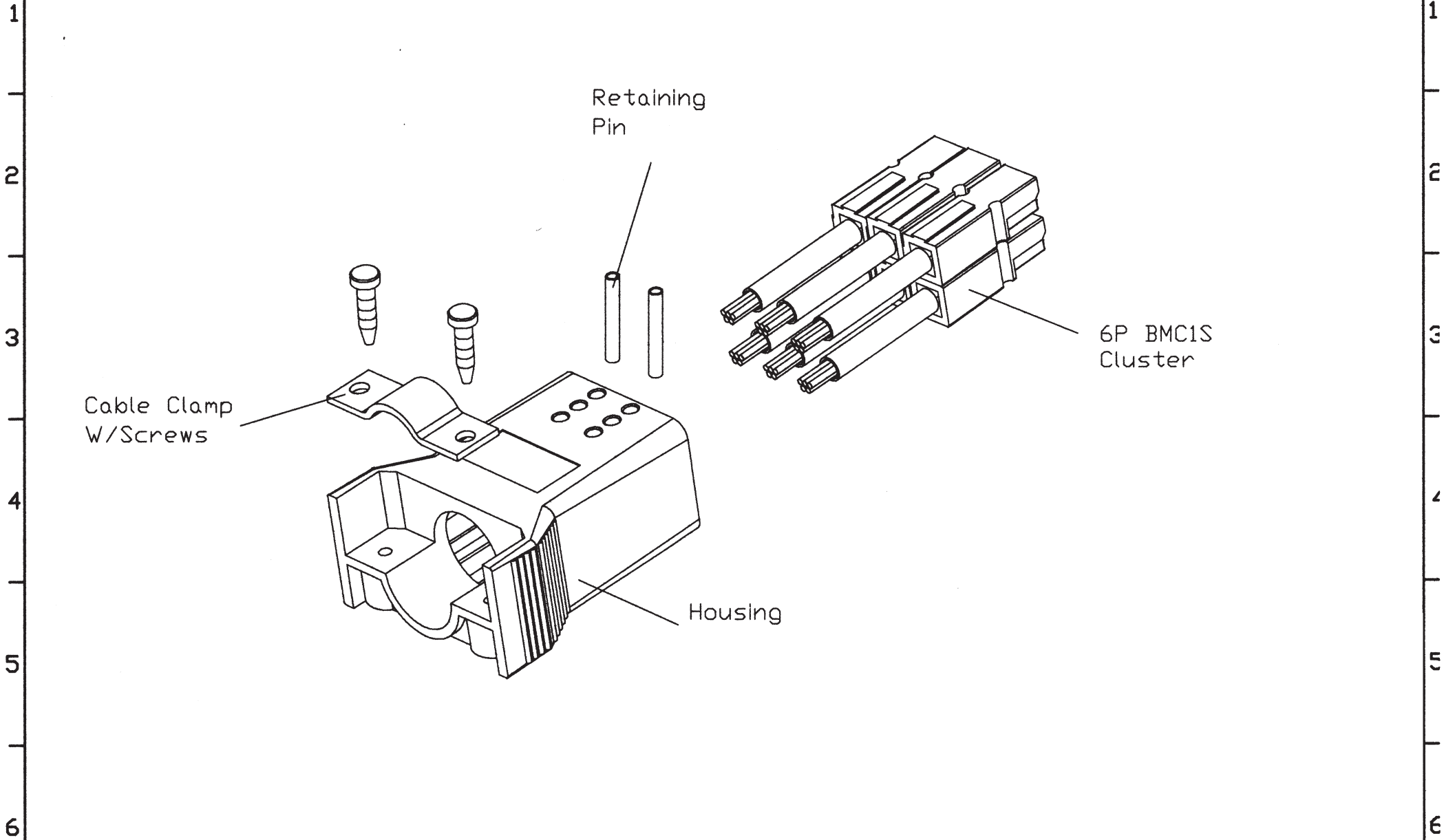


A	B	C	D	E	F	G	H
				REV	DESCRIPTION		DATE



CAT No. 6BMCS-SET-RW-E