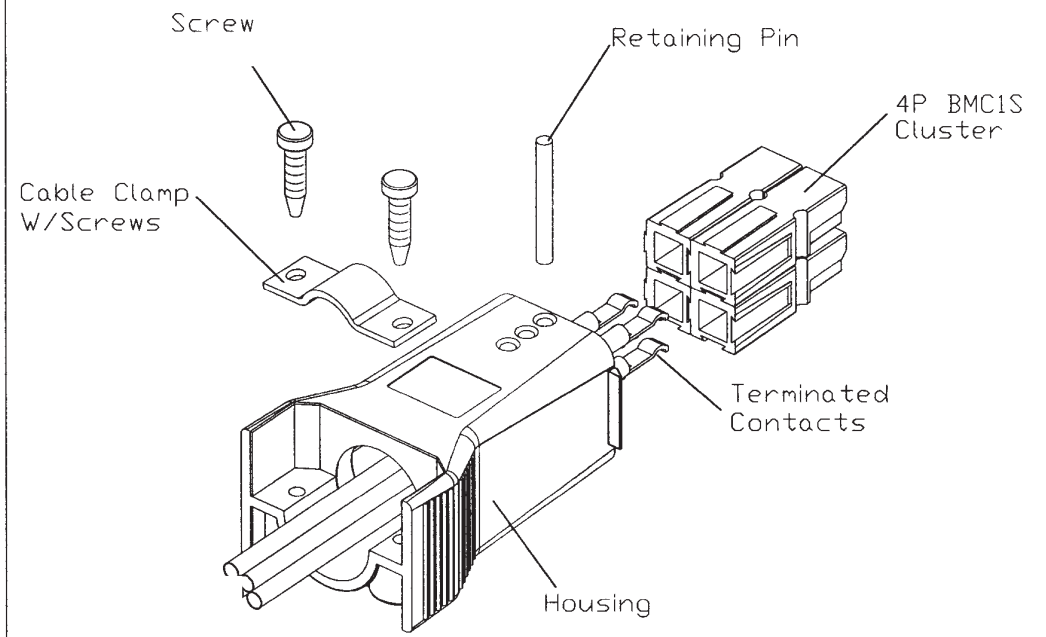
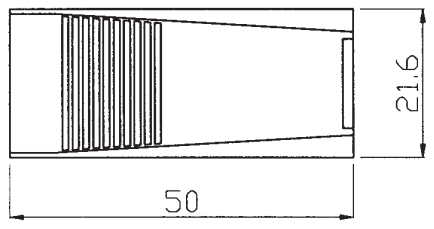
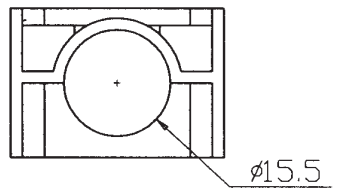
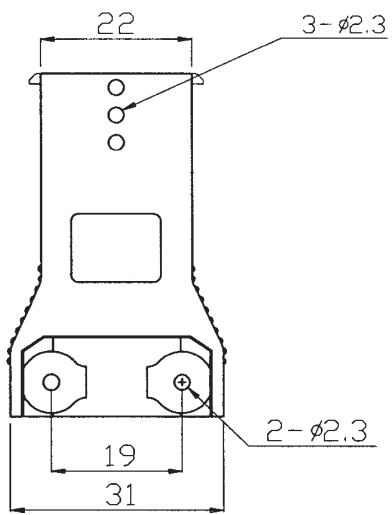


A B C D E F G H

REV	DESCRIPTION	DATE
-----	-------------	------



TYPICLA ASSEMBLE

NOTE:
1.TP+3*12N2 : ϕ 3*12L-1"*24
2.K7-2.4*21 : ϕ 2.4*21L

CAT No. 4BMCS-SET-RW-E

A B C D E F G H