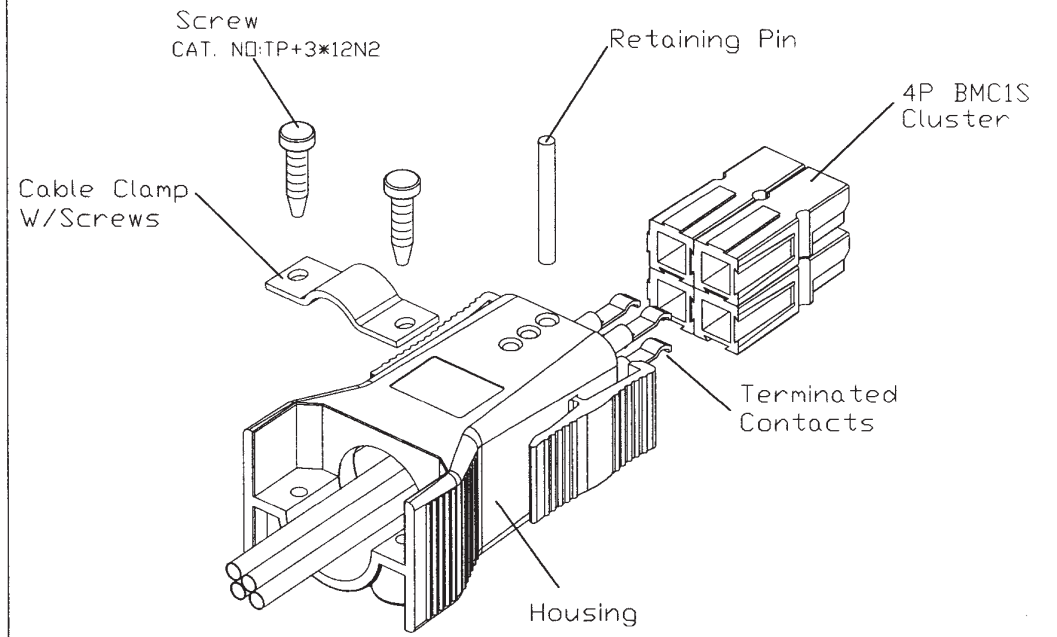
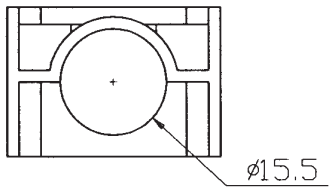
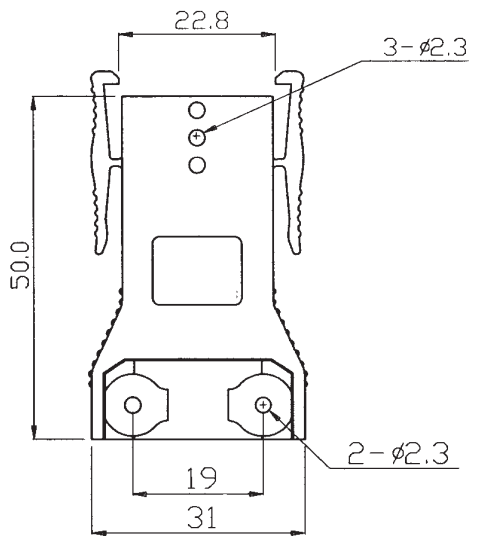
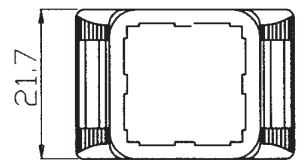


A B C D E F G H

REV	DESCRIPTION	DATE
-----	-------------	------



NOTE:

1. TP+3*12N2 : ∅3*12L-1"*24

2. K7-2.4*21 : ∅2.4*21L

CAT No. 4BMCS-SET-R-E

A B C D E F G H