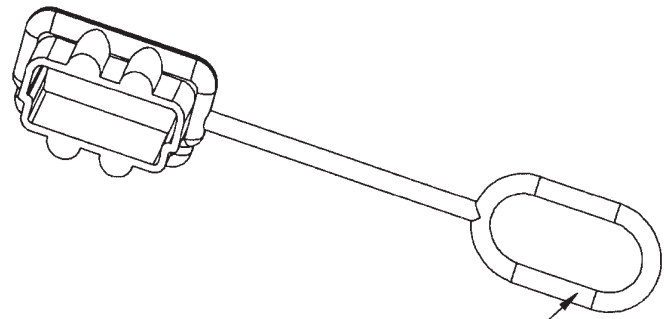
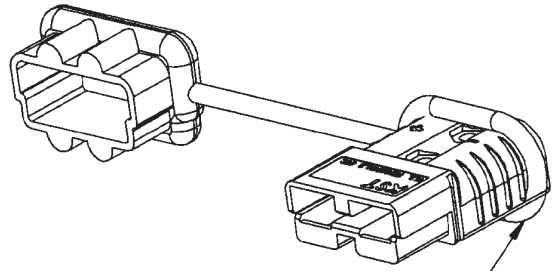


REV	DESCRIPTION	DATE
-----	-------------	------

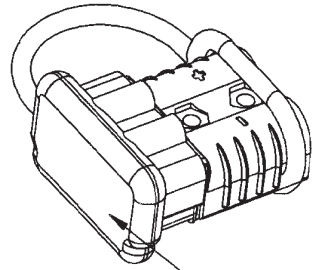
CAT.No
BMC2MS-DC1-E



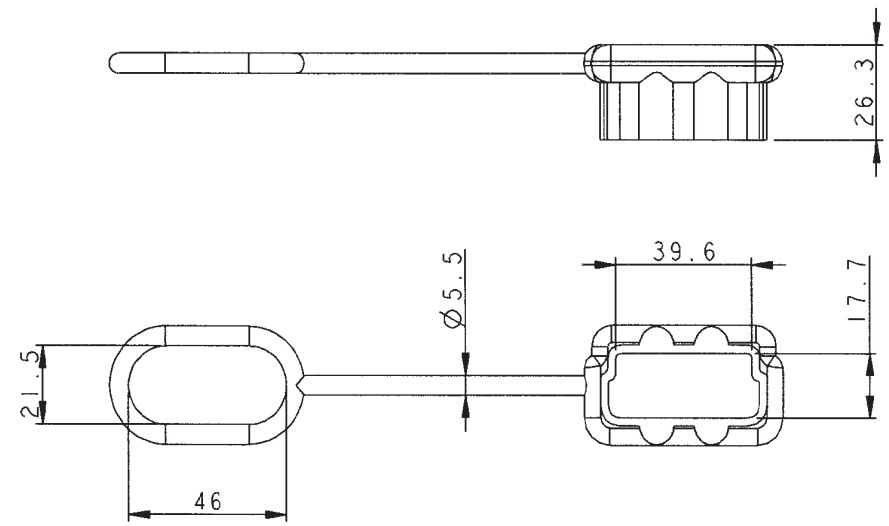
RETAINING STRAP



SLIDE RETAINING STRAP OVER CABLE END



SLIDE COVER OVER MATING END



NOTE:
 1. COLOR : BLACK
 2. APPLICATION : BMC2MS SERIES CONNECTORS
 3. MAXIMUM ELECTRIC RATING : 125°C 600 VOLTS MAX.