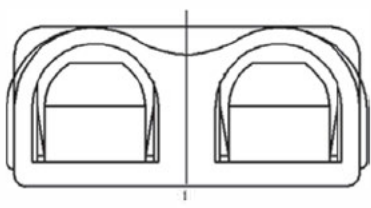
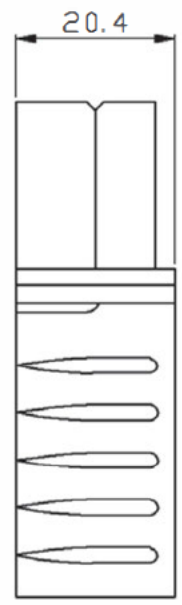
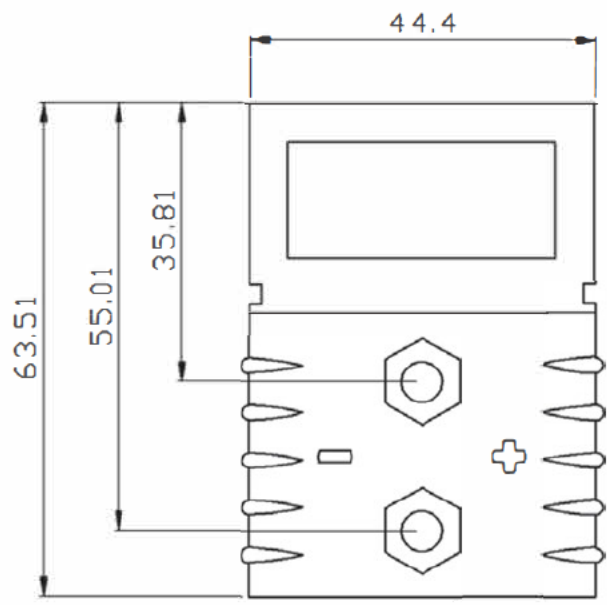
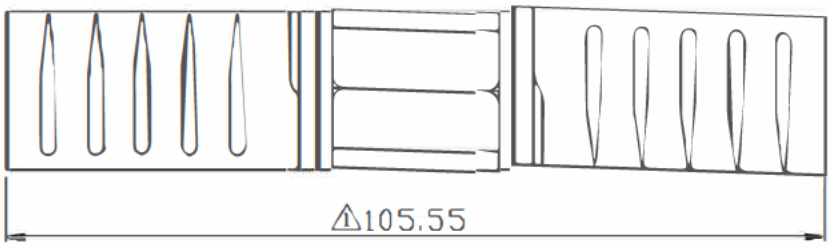


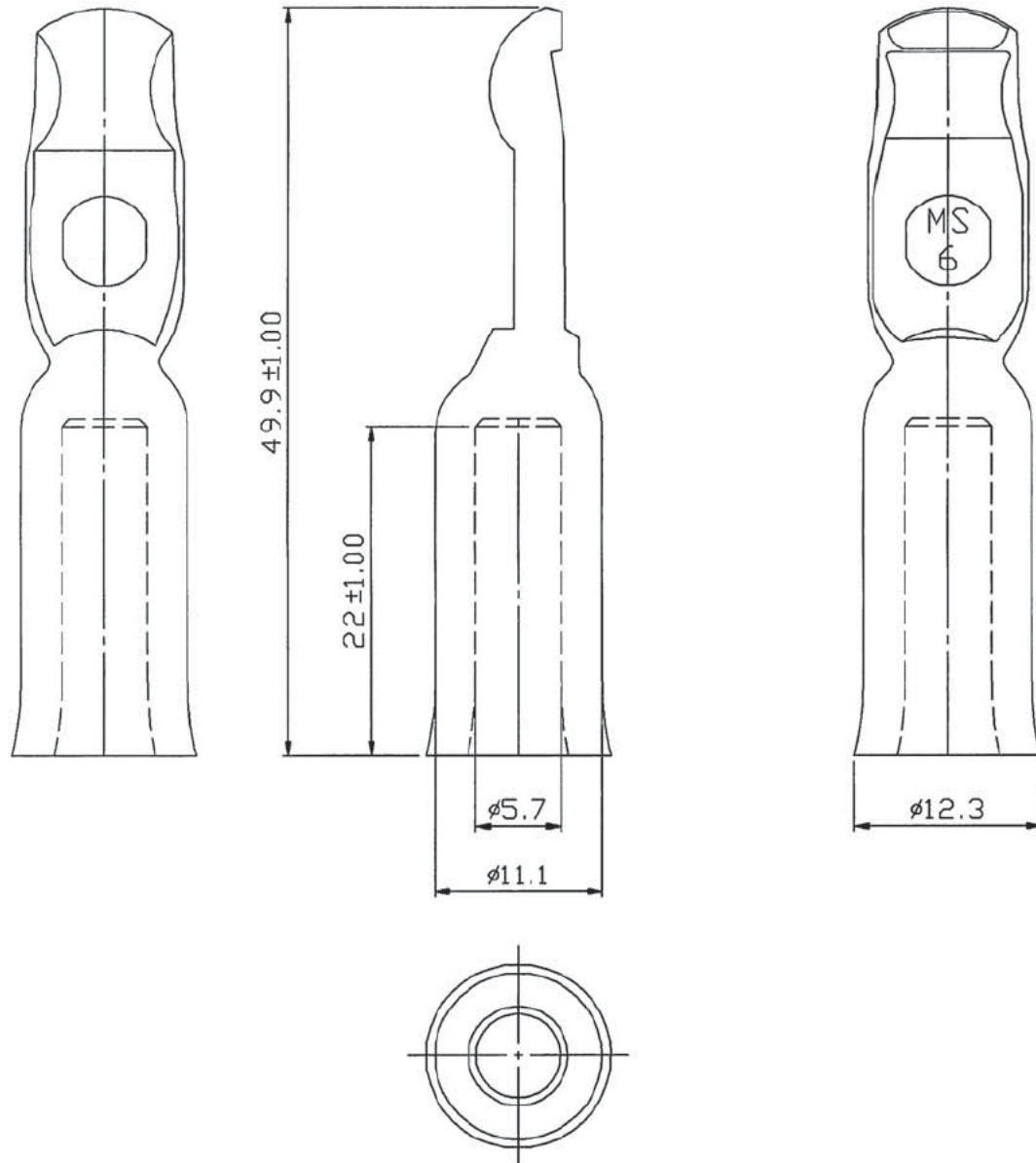
A B C D E F G H

REV	DESCRIPTION	DATE
-----	-------------	------



CAT.No	COLOR
BMC2MS-GRAY	GRAY
BMC2MS-RED	RED

A B C D E F G H



P/N BMCMS14AG

MAXIMUM ELECTRIC CURRENT

	SINGLE	DUAL
A.W.G.	6	6
AMP.	80	80

NOTE :

SURFACE TREATMENT : SILVER PLATED