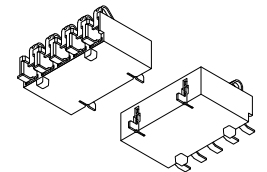
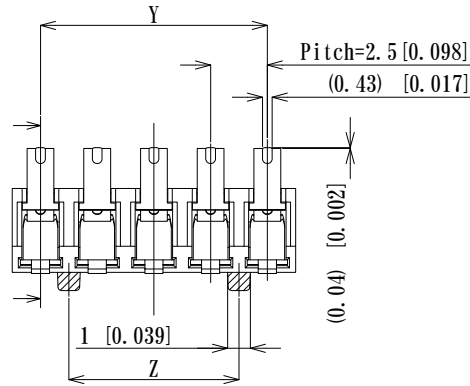
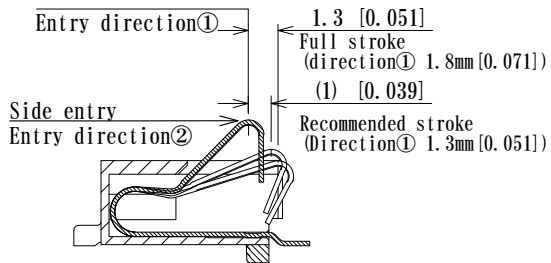
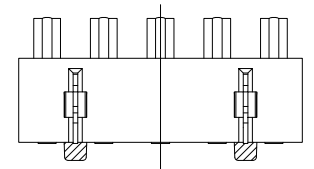
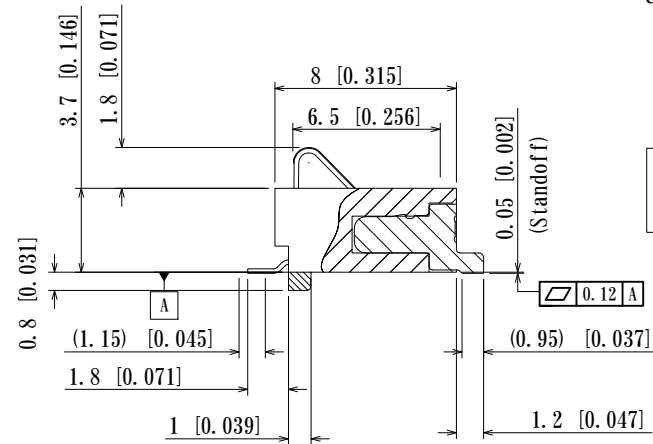


Top perspective view
S=2:1

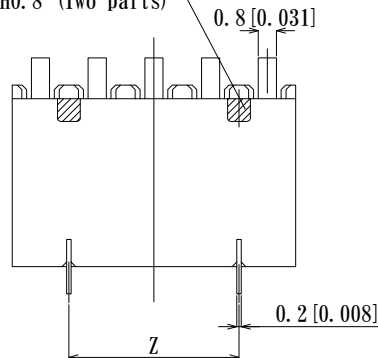


Under perspective view
S=2:1

PC Board Layout/Tolerance ± 0.05
(Top-View)



PC Board positioning boss
W1×D1×H0.8 (Two parts)



Code	P/N	Pin	X	Y	Z
7.5	BAT-3P-075T37-JC	3	5.0 [0.197]	7.5 [0.295]	2.5 [0.098]
10	BAT-4P-100T37-JC	4	7.5 [0.295]	10.0 [0.394]	5.0 [0.197]
12.5	BAT-5P-125T37-JC	5	10.0 [0.394]	12.5 [0.492]	7.5 [0.295]

Date		JC ELECTRONICS CORPORATION
2023/08/10		
Materials Finish		Housing : Thermoplastic Contact : Copper alloy Au over Ni Hold Down : Copper alloy Sn over Ni
Dimensions Style		Title Battery Connectors
mm [inch]		Part Number
Third Angle Projection		BAT-□P-□□□T37-JC
Rev. No	0	